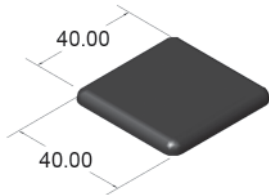




Accessories

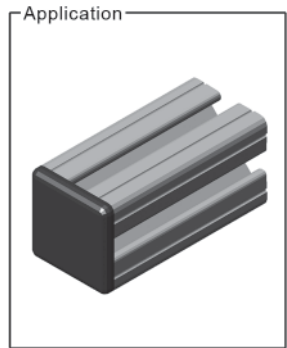
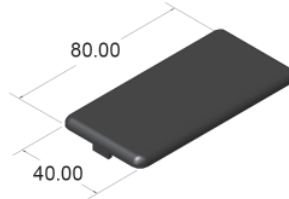
40AC7925

40MM x 40MM ENDCAP



40AC7930

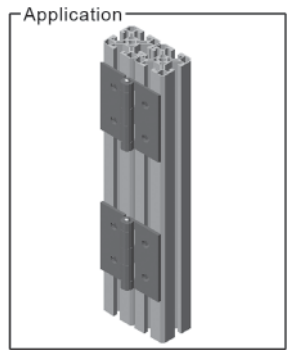
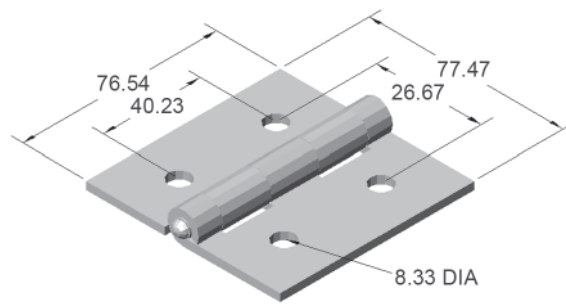
40MM x 80MM ENDCAP



40HI8530

METAL HINGE

- Black powder coated steel



RECOMMENDED HARDWARE

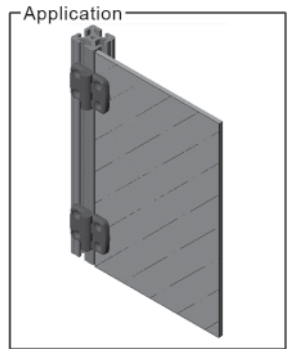
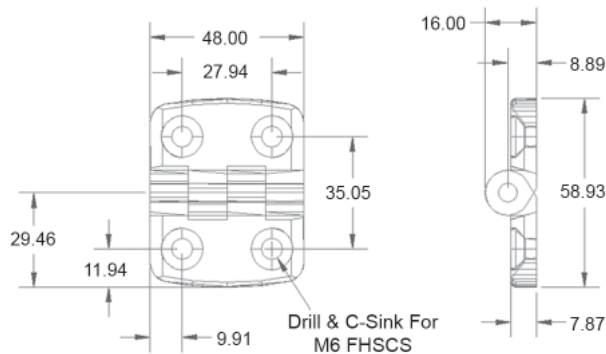
QTY	DESCRIPTION	PART NO.
4	M8 x 12mm BHSCS	13MFA3607
4	M8 x 1.25 ECONOMY T-NUT	15MFA3920

See pages 258-265 for additional fasteners & T-nuts

40HI8540

PLASTIC HINGE

- ⚠ Not to be used to hinge two extrusions together



- Hardware included
- Black fiberglass reinforced nylon