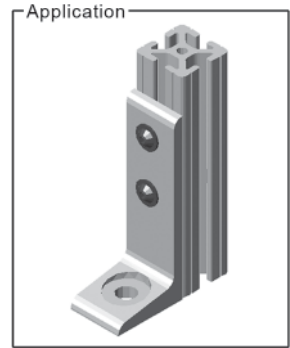
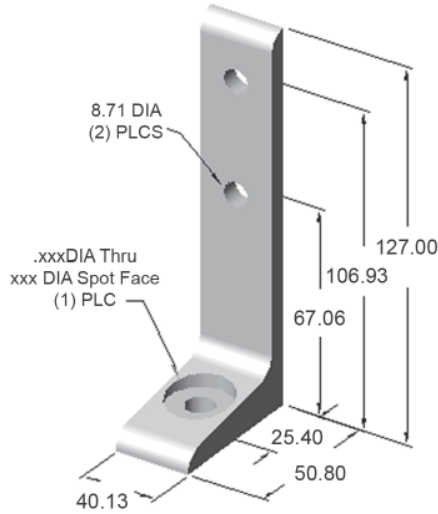




Floor to Frame

### 40FF5814

40MM FLOOR MOUNT FOOT



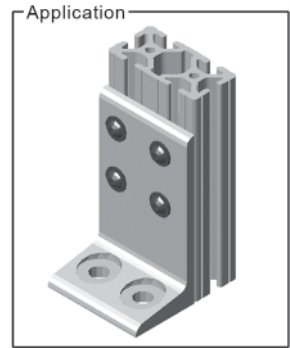
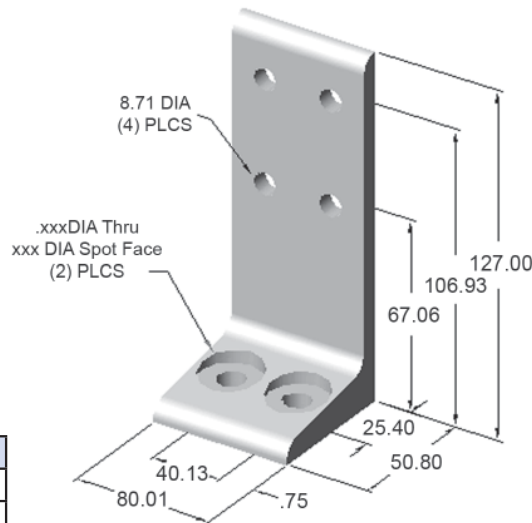
RECOMMENDED HARDWARE

QTY	DESCRIPTION	PART NO.
2	M8 x 16mm BHSCS	13MFA3613
2	M8 x 1.25 ECONOMY T-NUT	15MFA3920

See pages 258-265 for additional fasteners & T-nuts

### 40FF5816

80MM FLOOR MOUNT FOOT



RECOMMENDED HARDWARE

QTY	DESCRIPTION	PART NO.
4	M8 x 16mm BHSCS	13MFA3613
4	M8 x 1.25 ECONOMY T-NUT	15MFA3920

See pages 258-265 for additional fasteners & T-nuts

### 40BP2520

40MM x 80MM BASE PLATE

'A' TAP THRU = M8 x 1.25

### 40BP2521

40MM x 80MM BASE PLATE

'A' TAP THRU = M10 x 1.50

### 40BP2522

40MM x 80MM BASE PLATE

'A' TAP THRU = M12 x 1.75

