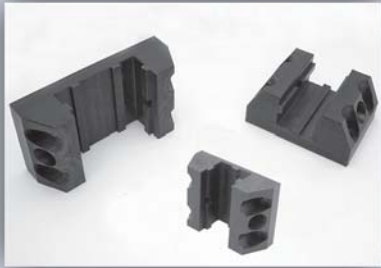




## Section 15

# 10 Series Linear Motion

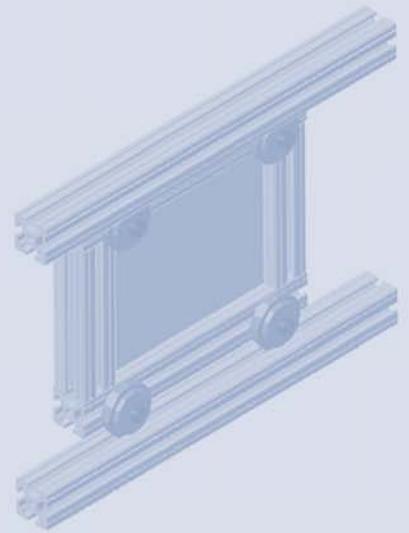
---



Linear Bearings



Roller Wheels





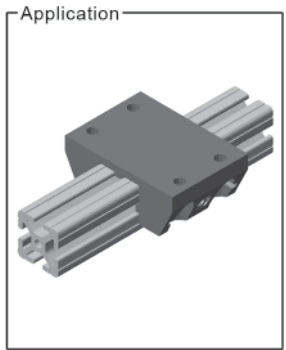
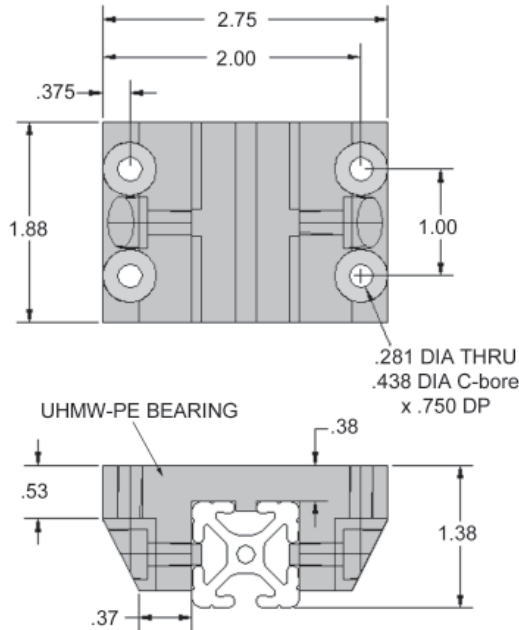
## 10LM8440

DOUBLE FLANGE LINEAR BEARING

- For use with 1.0" wide extrusions
- Strong, solid one-piece construction
- Self-lubricating UHMW-PE material
- Low coefficient of friction



Do not hang a load from the linear bearing.



### RECOMMENDED HARDWARE

QTY	DESCRIPTION	PART NO.
4	1/4-20 x 5/8 SHCS	13FA3304
4	1/4-20 ECONOMY T-NUT	10FA3121

See pages 176-181 for additional fasteners & T-nuts

Perfect for drawer slides, machine stops, part shuttles and more.

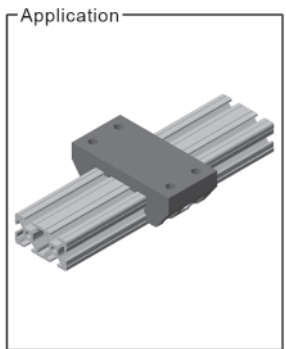
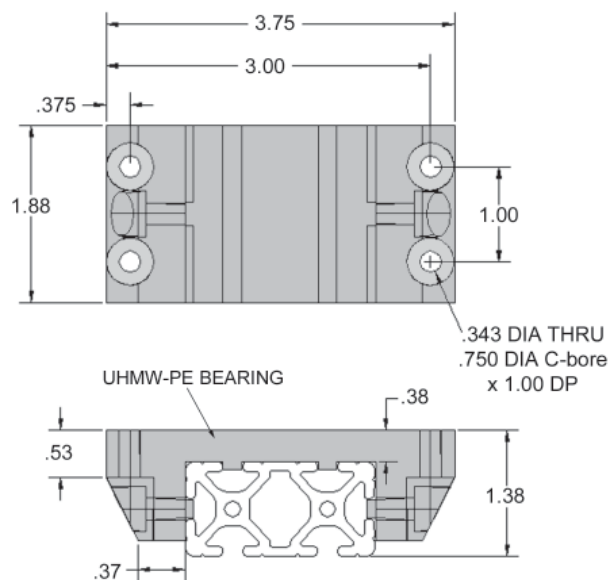
## 10LM8442

DOUBLE FLANGE LINEAR BEARING

- For use with 1.0" wide extrusions
- Strong, solid one-piece construction
- Self-lubricating UHMW-PE material
- Low coefficient of friction



Do not hang a load from the linear bearing.



### RECOMMENDED HARDWARE

QTY	DESCRIPTION	PART NO.
4	1/4-20 x 5/8 SHCS	13FA3304
4	1/4-20 ECONOMY T-NUT	10FA3121

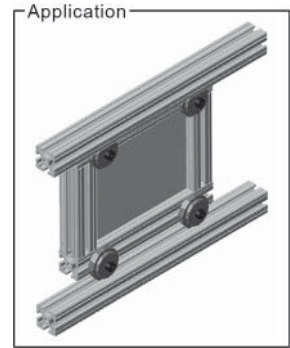
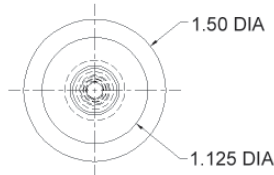
See pages 176-181 for additional fasteners & T-nuts



## 10LM8404

ROLLER WHEEL

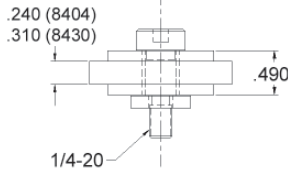
- High strength black nylatron
- Self-lubricating bronze bushing
- Hardware included



## 10LM8430

DELUXE ROLLER WHEEL

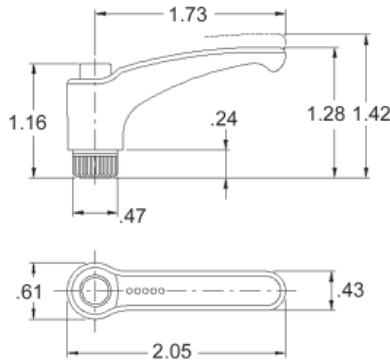
- High strength black nylatron
- Two shielded roller bearings
- Hardware included



## 10LM8420

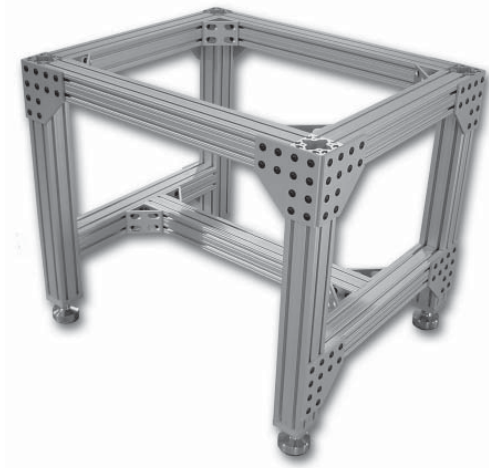
RATCHETING L HANDLE BRAKE KIT - PLASTIC

- Lock down linear bearings
- Ratcheting action for quick and easy adjustment



1/4-20 x 3/4" Carriage  
Bolt Included

### Faztek Applications



Heavy duty machine bases can be designed for just about any type of equipment. As seen here, large joining plates and gusset corner brackets were used in addition to anchor fasteners for increased support. Faztek frames are vibration-proof when proper torque is applied to the fasteners; perfect for machines such as vibratory feeders and similar equipment.

#### Materials Used:

- 15EX3030 T-Slot aluminum extrusions
- 3" Gusset corner brackets
- Joining plates
- Anti-vibration leveling feet
- Various fasteners



Material handling applications can be designed to handle all types of materials. This application was designed to handle the weight of a standard pallet and its payload. Heavy duty casters allow for mobility when transporting, wrapping, inspecting etc.

#### Materials Used:

- 15EX1530 T-Slot aluminum extrusions
- Casters
- 45° Supports
- Base plates
- Joining plates
- Various fasteners

See additional Faztek applications online at [www.faztek.net](http://www.faztek.net)!